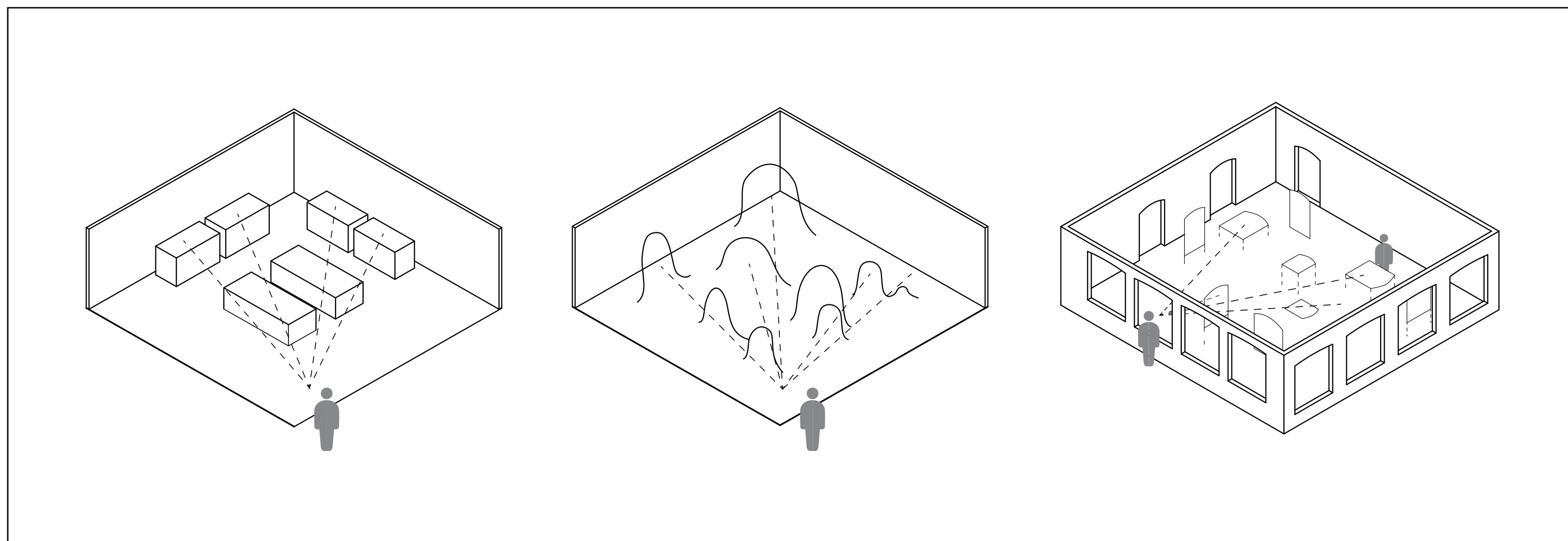


WALK INTO THE FOREST

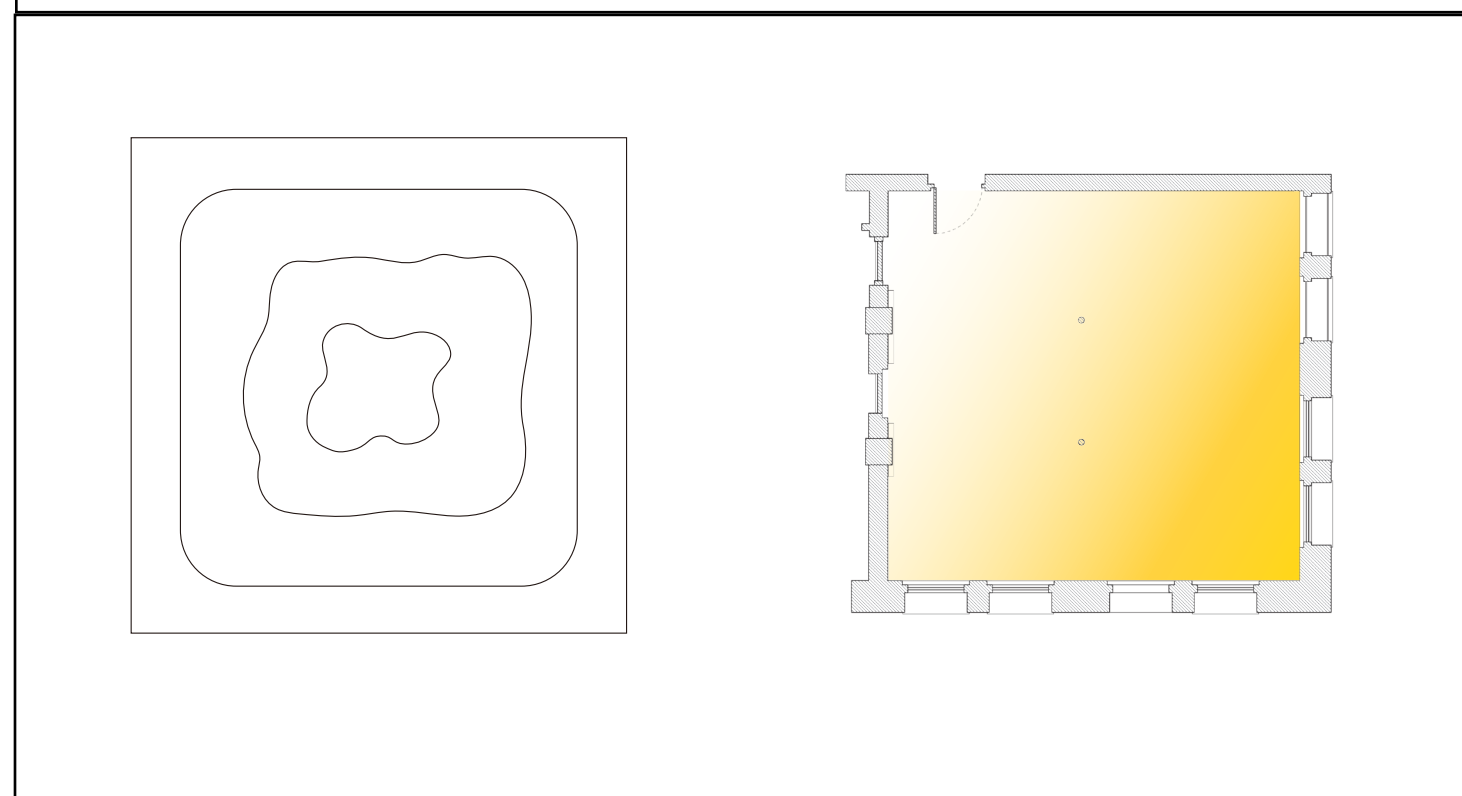


THE CONCEPT DEVELOPMENT

To extract the essential architectural elements as well as the visual elements and to emphasize them. Make them into the signature symbols of the natural lab.

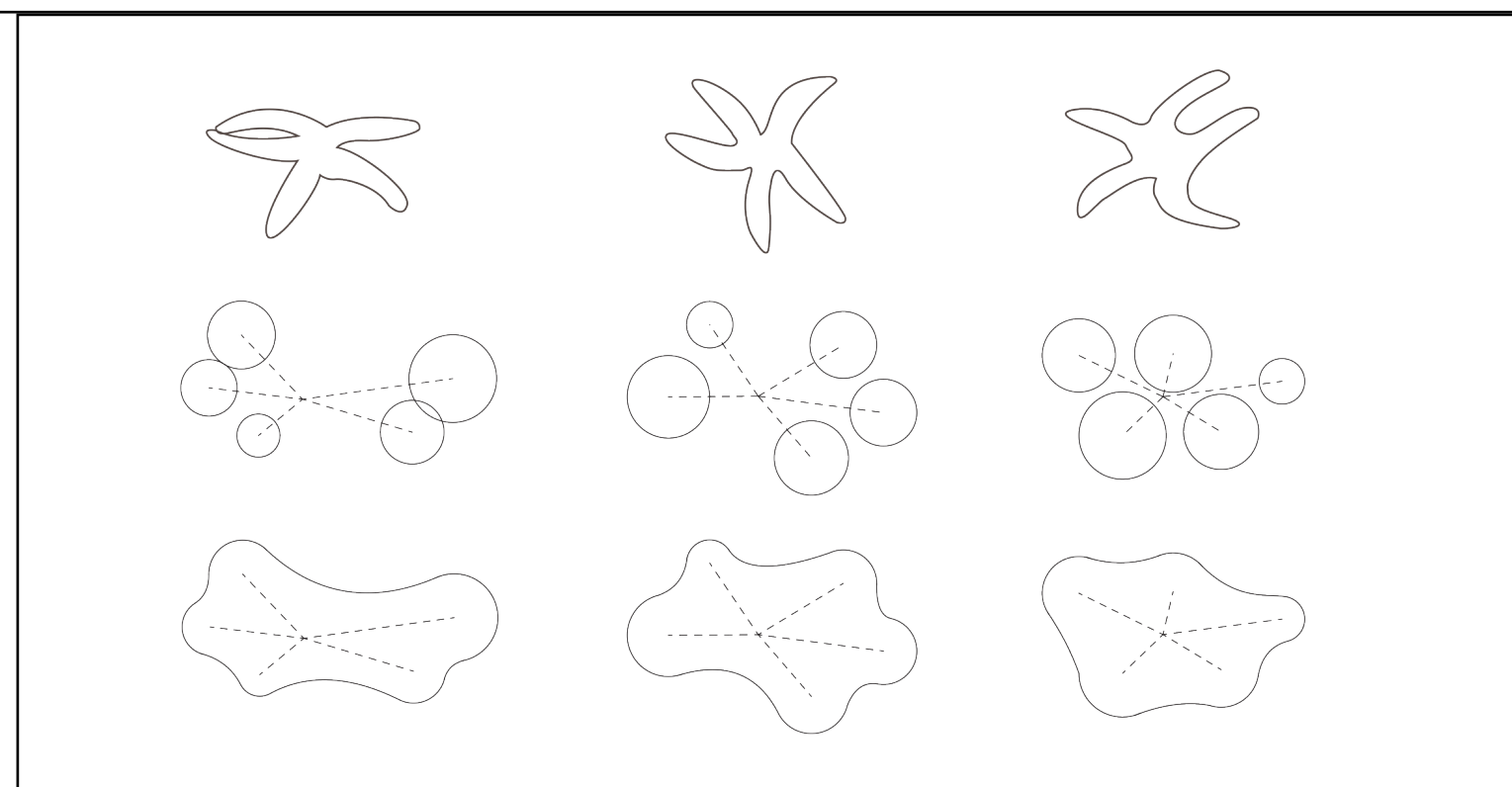


Take the arc from windows and doors as the frame of the sights, make them into different forms with varied functions to impress people with the visual elements. In the meantime, increase the visual depth of the room by installing different visual elements and altering flooring.

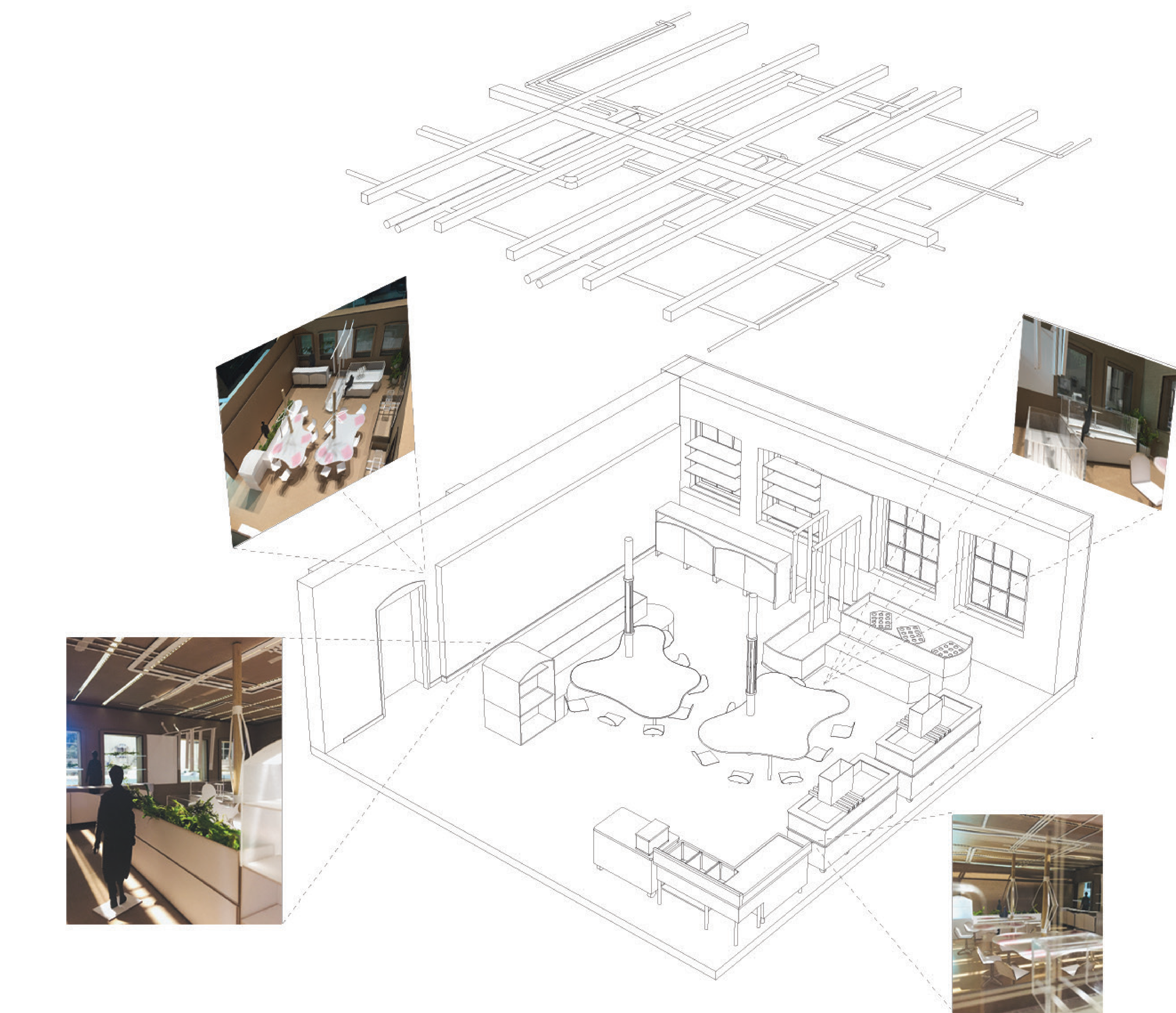


FORM TRANSITION

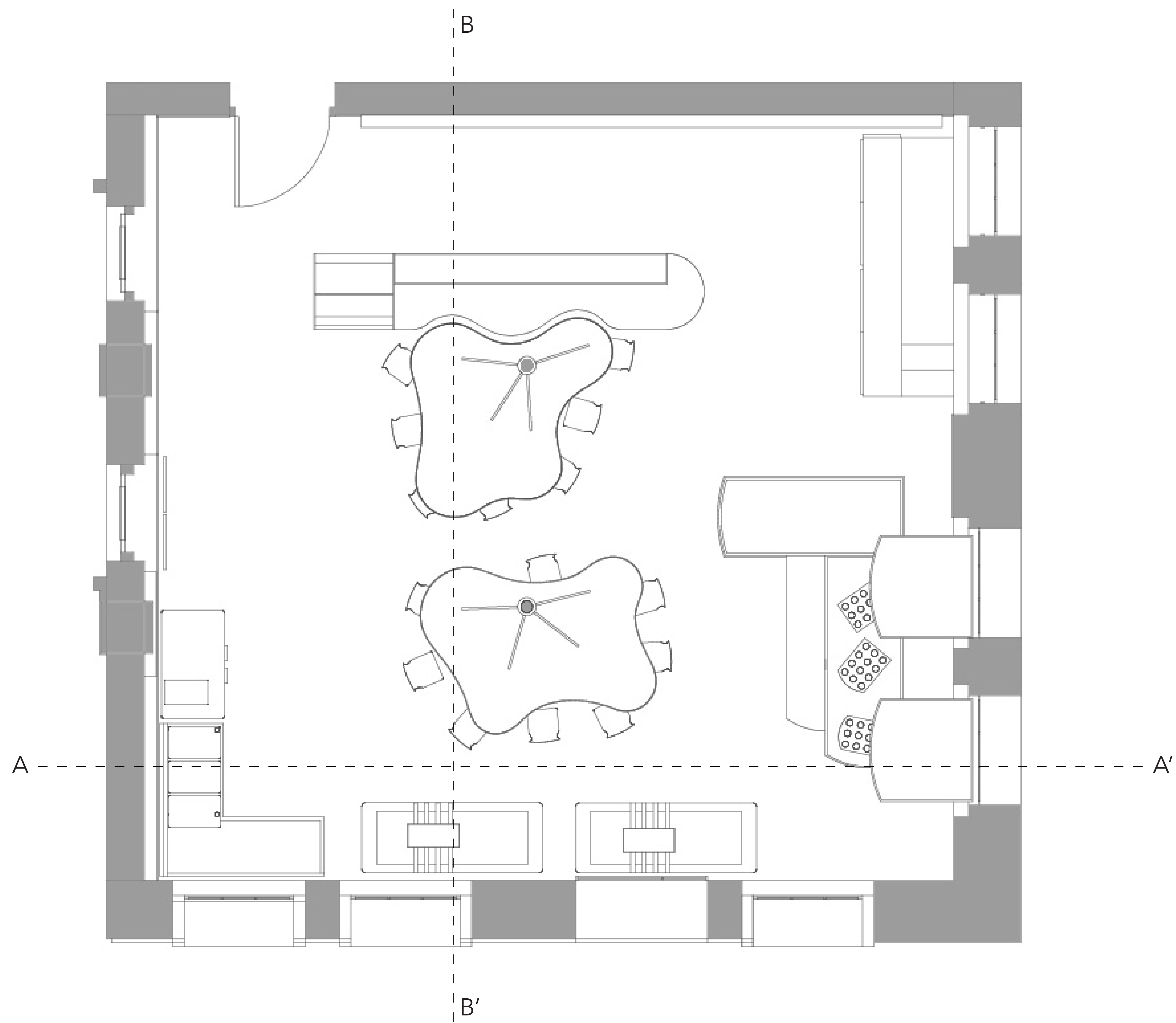
SUN DIAGRAM



WORKSTATIONS' FORM DEVELOPMENT



AXONOMETRIC VIEW



PLAN
1/2"=1'



AA' SECTION
1/2"=1'



BB' SECTIONAL PERSPECTIVE
1/2"=1'

